



WALL TECH AC



DIESEL



ACCESSORIES for all versions

- add-on Filter Kit
- on request 115-60Hz motor



FEATURES	40 litre	60 litre	80 litre	100 litre
Voltage AC [V, Hz]	230, 50	230, 50	230, 50	230, 50
Power supply [A]	1.1	2.4	3.5	4.1
Power [W]	253	550	800	950
Protection	IP 55	IP 55	IP 55	IP 55
On/Off switch	Yes	Yes	Yes	Yes
Cable [m]	2	2	2	2
Duty cycle [min]	S2 30	S2 30	S2 30	S2 30
Nominal Flow Rate [l/min / GPM]	40 / 10,57	60 / 15,85	80 / 21,13	100 / 26,42
Max Pressure [bar / psi]	1.3 / 19	2 / 29	2.5 / 36	2.5 / 36
Suction dry eight [m]	2	4	2	2
By pass valve	Yes	Yes	Yes	Yes
Inlet [BSP/G]	3/4" F	1" F	1" F	1" F
Outlet [BSP/G]	1" F	1" F	1" F	1" F
Pump body material	Cast Iron	Cast Iron	Cast Iron	Cast Iron
Impeller material	Sintered Steel	Sintered Steel	Sintered Steel	Sintered Steel
Vanes material	POM	POM	POM	POM
Ring material	HNBR	HNBR	HNBR	HNBR
Gasket material	NBR	NBR	NBR	NBR
Meter digits:	3	3	3	3
Meter type:	Oscillating disk	Oscillating disk	Oscillating disk	Oscillating disk
Meter precision [%]:	±1	±1	±1	±1
Repeatability[%]:	0,2	0,2	0,2	0,2
Discharge hose [material,Ø,m,fittings]	rubber, 20, 4, 1"x1"	rubber, 20, 4, 1"x1"	rubber, 25, 4, 1"x1"	rubber, 25, 4, 1"x1"
Nozzle	automatic / manual	automatic / manual	automatic / manual	automatic / manual
Filter	no	Yes	Yes	Yes
Motor support	Yes	Yes	Yes	Yes
Min/Max Temperature [°C]	-20/+50	-20/+50	-20/+50	-20/+50
Fluid viscosity [cSt]	2 ÷ 5	2 ÷ 5	2 ÷ 5	2 ÷ 5
Allowed fluids	diesel	diesel	diesel	diesel
Forbidden fluids	gas, alcohol, water, gasoline, kerosene			
Loudness at less 1 meter[dB]	75	< 70	85	85
Peso netto [kg]	11	17	24	24
Gross weight [kg]	12	17.5	24.5	24.5



WALL TECH DC



DIESEL



ACCESSORIES for all versions

- add-on Filter Kit
- on request 115-60Hz motor



FEATURES	40 litre	45 litre	60 litre	85 litre
Voltage DC [V]	12 - 24	12 - 24	12 - 24	12 - 24
Power supply [A]	21 - 13	18 - 9	26 - 17	40 - 32
Fusibile [A]	30 - 20	30 - 15	30 - 20	40 - 40
Power [W]	252 - 312	216 - 216	312 - 408	480 - 768
Protection	IP 55	IP 55	IP 55	IP 55
On/Off switch	Yes	Yes	Yes	Yes
Cable[m]	2	2	2	2
Duty cycle[min]	S2 30	S2 30	S2 30	S2 30
Nominal Flow Rate [l/min / GPM]	40 / 10,57	45 / 11,89	60 / 15,85	85 / 22,45
Max Pressure [bar / psi]	1.3 / 19	1.2 / 17,5	2 / 29	2 / 29
Suction dry height [m]	2	2	2	2
By pass valve	Yes	Yes	Yes	Yes
Inlet [BSP/G]	3/4" F	1" F	1" F	1" F
Outlet [BSP/G]	1" F	1" F	1" F	1" F
Pump body material	Cast Iron	Cast Iron	Cast Iron	Cast Iron
Impeller material	Sintered Steel	Sintered Steel	Sintered Steel	Sintered Steel
Vanes material	POM	POM	POM	POM
Ring material	HNBR	HNBR	HNBR	HNBR
Gasket material	NBR	NBR	NBR	NBR
Meter digits:	3	3	3	3
Meter type:	Oscillating disk	Oscillating disk	Oscillating disk	Oscillating disk
Meter precision [%]:	±1	±1	±1	±1
Repeatability[%]:	0,2	0,2	0,2	0,2
Discharge hose [material,Ø,m,ittings]	rubber, 20, 4, 1"x1"	rubber, 20, 4, 1"x1"	rubber, 25, 4, 1"x1"	rubber, 25, 4, 1"x1"
Nozzle	automatic / manual	automatic / manual	automatic / manual	automatic / manual
Filter	no	Yes	Yes	Yes
Motor support	Yes	Yes	Yes	Yes
Temperatura min/max [°C]	-20/+50	-20/+50	-20/+50	-20/+50
Fluid viscosity [cSt]	2 ÷ 5	2 ÷ 5	2 ÷ 5	2 ÷ 5
Allowed fluids	diesel	diesel	diesel	diesel
Forbidden fluids	gas, alcohol, water, gasoline, kerosene			
Loudness at less 1 meter[dB]	75	80	70 - < 75	70 - < 75
Peso netto [kg]	11.5	11.8	16	16
Gross weight [kg]	12	12.3	16.6	16.6



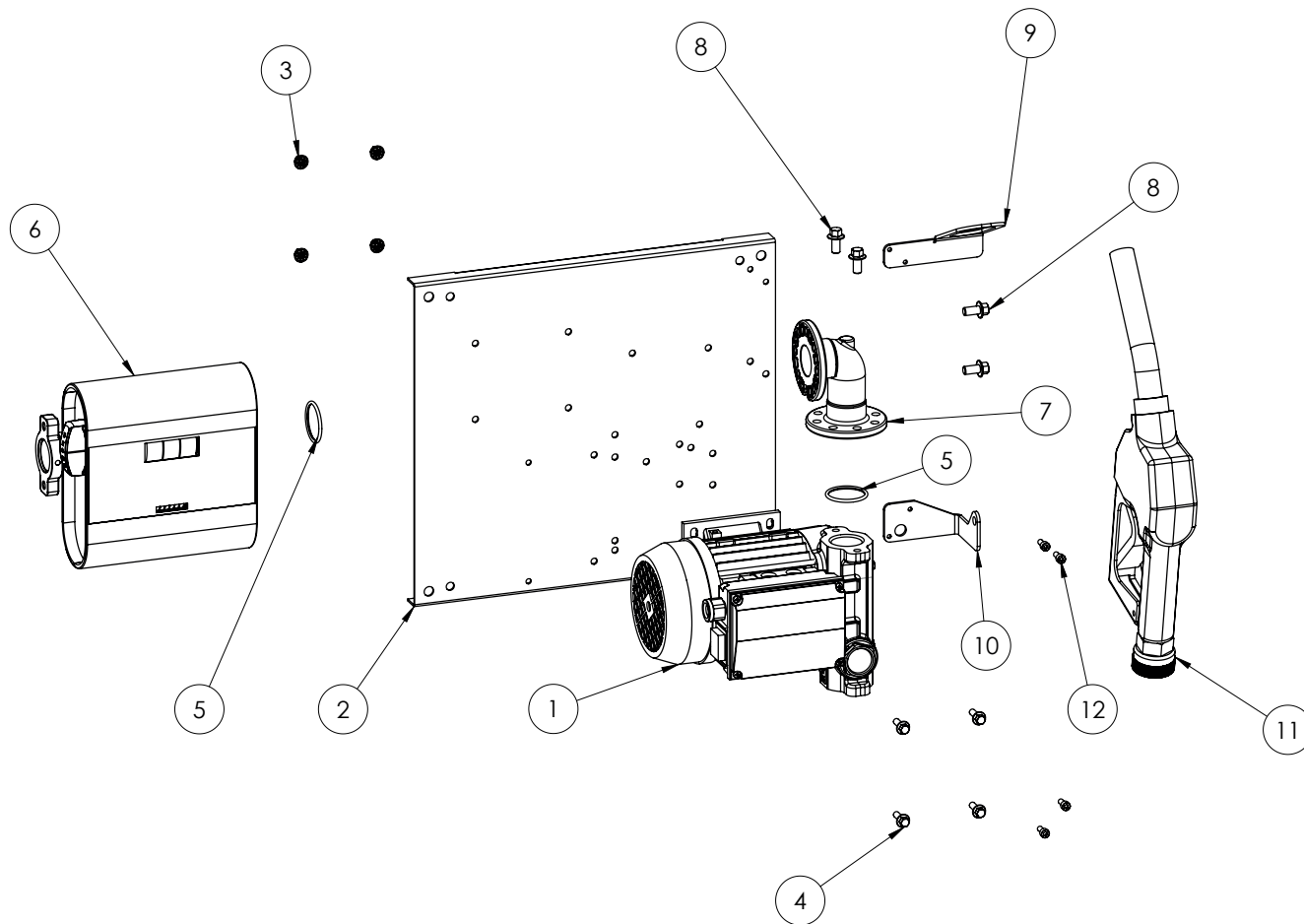
category

dispenser diesel

model

WALL TECH

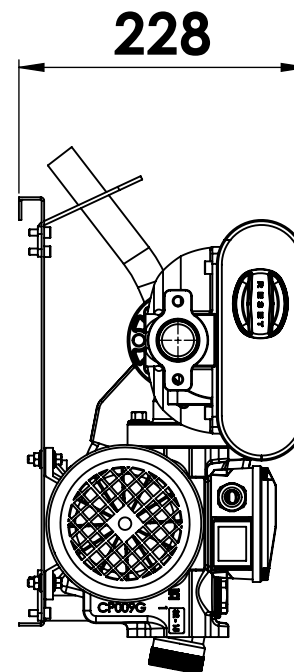
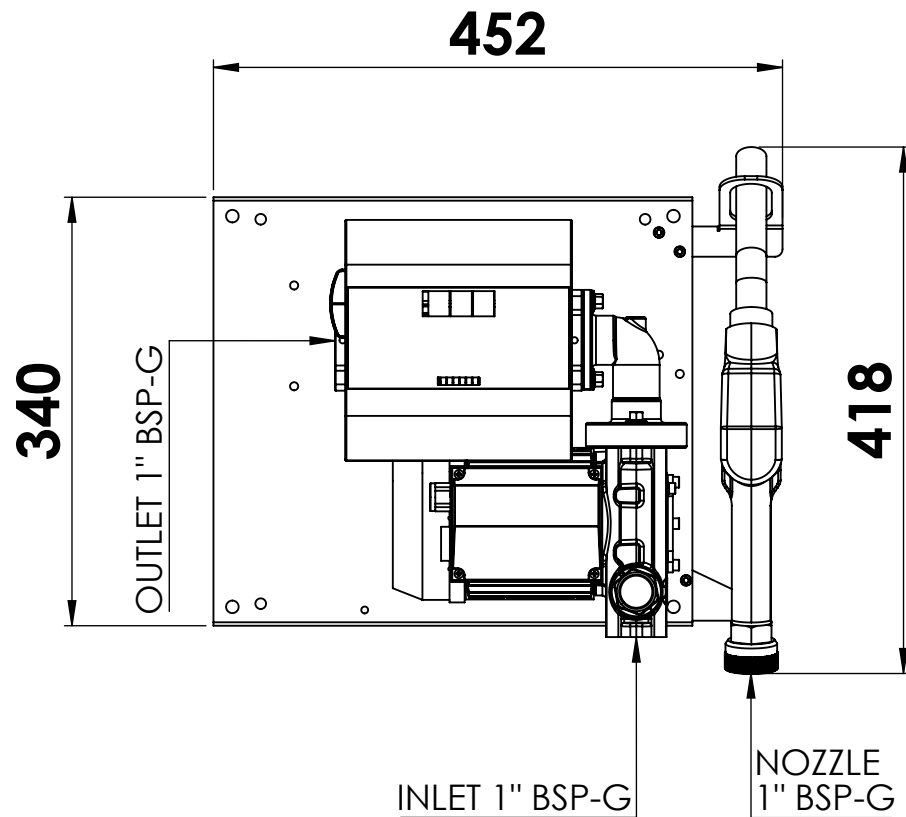
	CODE	DESCRIPTION	QTY
1	-	Electric pump	1
2	61805400000	Wall panel	1
3	71000112	Flanged nut M6	4
4	81282325100	Screw FR M6x20	4
5	OR011	O-RING 37 x 3 NBR	2
6	TF3S1	Meter	1
7	HT008	ROUGH TELEPHONE	1
8	VT005	Screw FR M8x16	2
9	WT001	Top WT nozzle hook	1
10	WT002	Bottom WT nozzle hook	1
11	-	Nozzle	1
12	13001013	Screw M5x12	4
13	VT020	screw m8x30	2



Adam Pumps S.p.A.
 Soc. con Socio Unico
 via della resistenza 46/48 - 41011 Campogalliano (MO) ITALIA
 Tel +39 059 528128 - Fax +39 059 528437 | www.adampumps.com - info@adampumps.com



WALL TECH

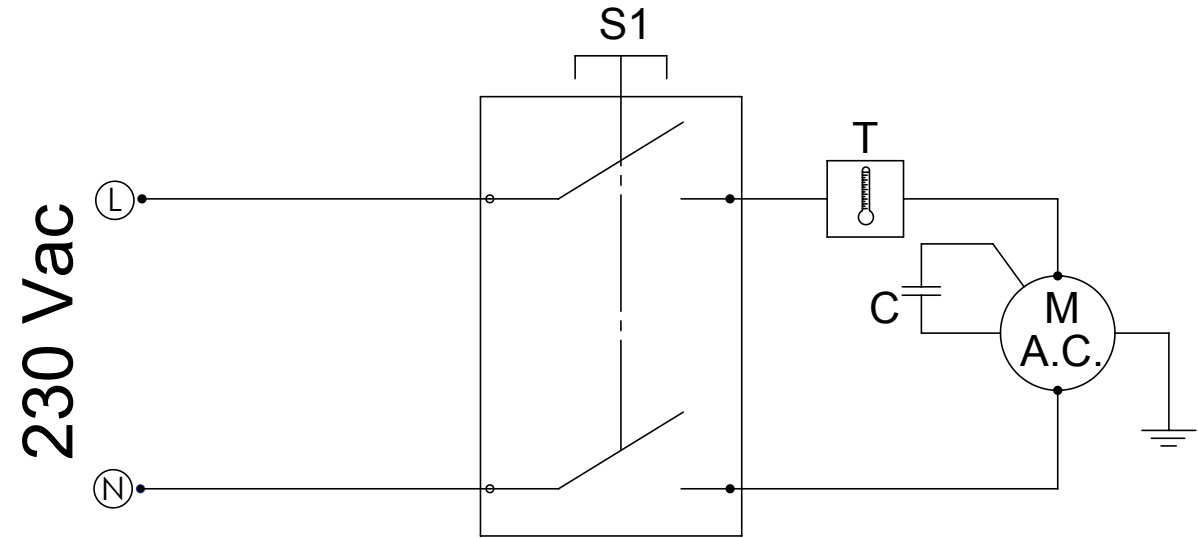


tutte le dimensioni espresse in mm - all dimensions are in mm





WALL TECH 60-100



schema elettrico

wiring diagram

schaltpläne

schémas électriques

esquemas eléctricos

esquemas elétricos

электрические схемы



S:1 interruttore ON-OFF
 M: motore
 T: protezione termica
 C: condensatore



S1: interruptor ON-OFF
 M: motor
 T: protección térmica
 C: condensador



S1: ON-OFF switch
 M: Motor
 T: Circuit Breaker
 C: Capacitor



S1: Interruptor ON-OFF
 M: Motor
 T: Proteção Térmica
 C: condensador



S1: ON - OFF Schalter
 M: Motor
 T: Temperaturschutz
 C: Kondensator



S1: переключатель ВКЛ-ВЫКЛ
 M: Двигатель
 T: Термореле
 C: Конденсатор



S1: interrupteur ON-OFF
 M: moteur
 T: protection Thermique
 C: condensateur





WALL-TECH 40-85



schema elettrico

wiring diagram

schaltpläne

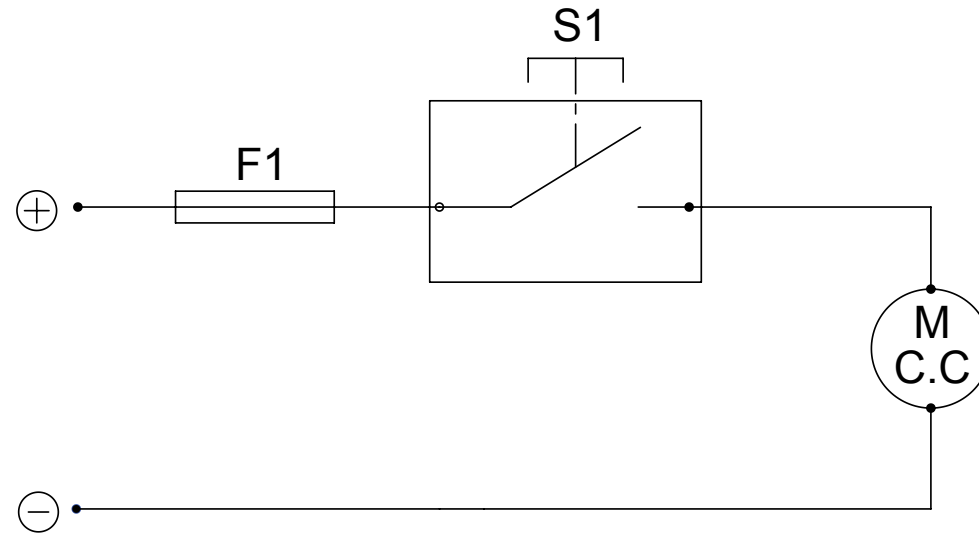
schémas électriques

esquemas eléctricos

esquemas elétricos

электрические схемы

12 / 24 VCC



S1 interruttore ON-OFF
M: motore
F1: fusibile



S1: interruptor ON-OFF
M: motor
F1: fusible



S1: ON-OFF switch
F1: Fuse
M: Motor



S1: Interruptor ON-OFF
M: Motor
F1: Fusível



S1: ON - OFF Schalter
M: Motor
T: Temperaturschutz



S1: переключатель ВКЛ-ВЫКЛ
M: Двигатель
F1: Плавкий предохранитель



S1: interrupteur ON-OFF
M: moteur
F1: fusible

